

KRAFTWERK®

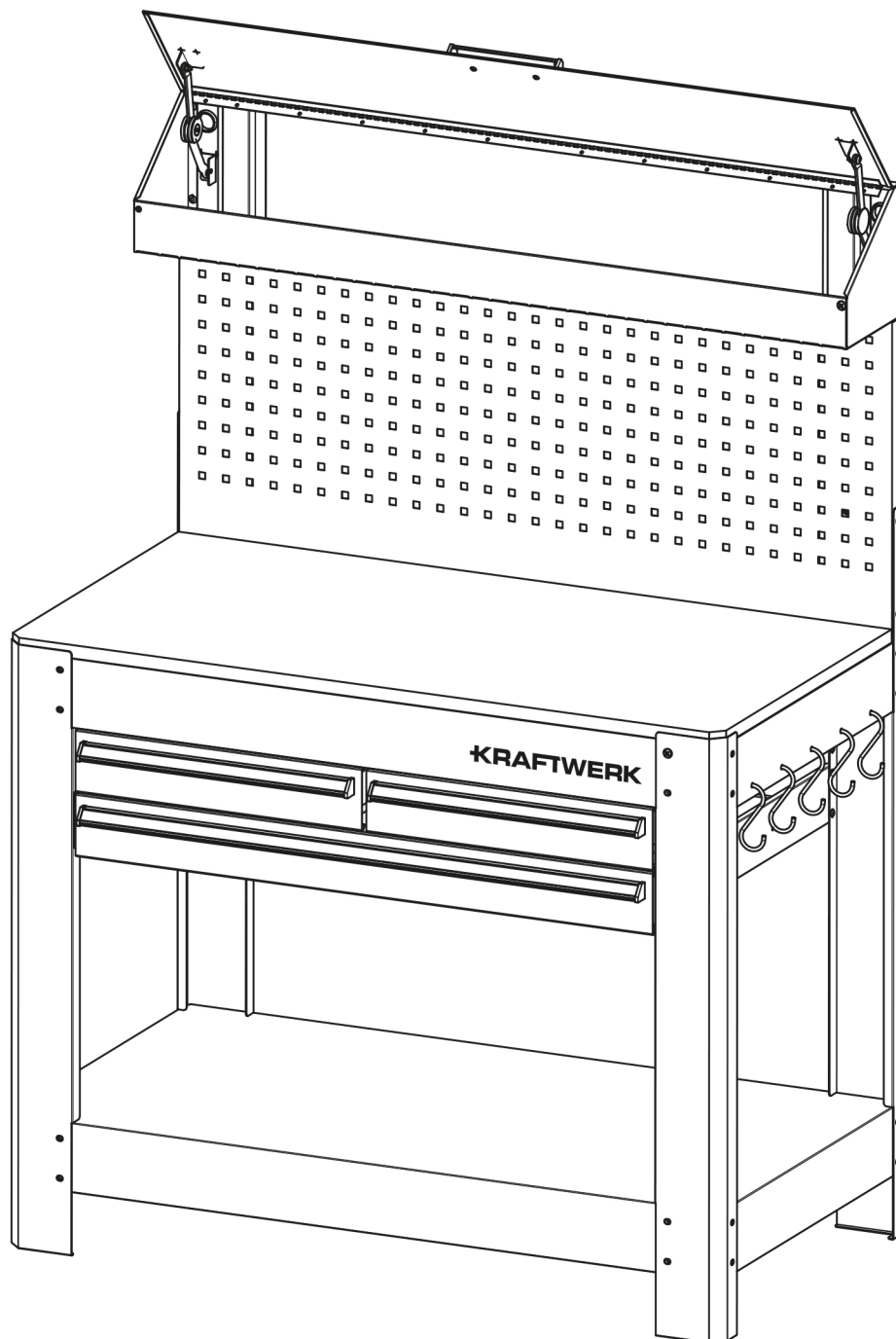
FAVORITE TOOLS SINCE 1979

Assembly Instruction

Work bench

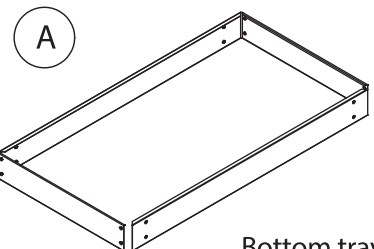
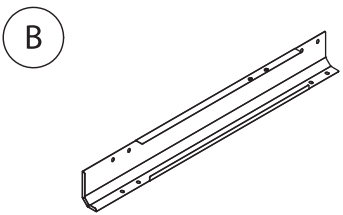
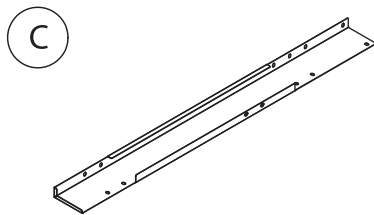
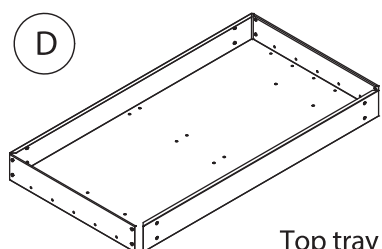
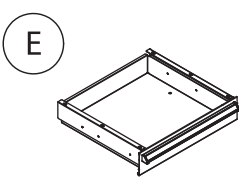
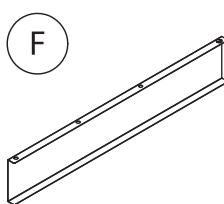
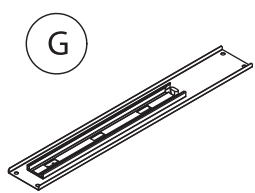
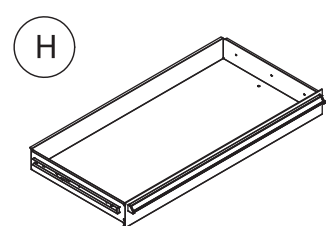
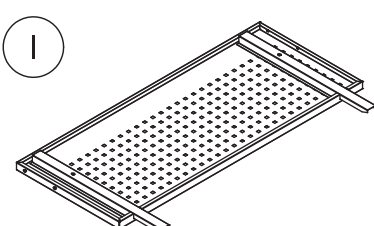
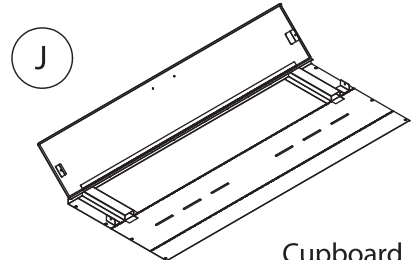
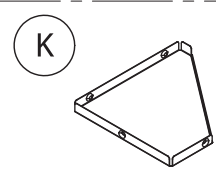
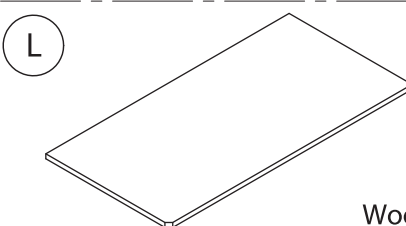
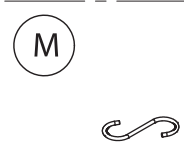
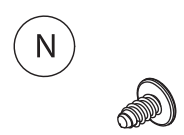
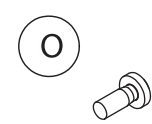
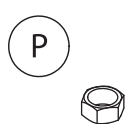
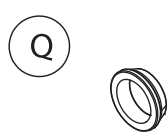
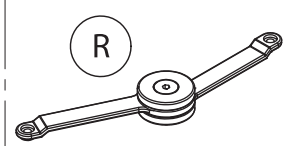
Art.104.103.001

EN



Carefully unpack and spread out all parts in a large uncluttered area. Familiarize yourself with all parts and compare them with the drawing below to make sure none are missing. Read all assembly instructions before beginning.

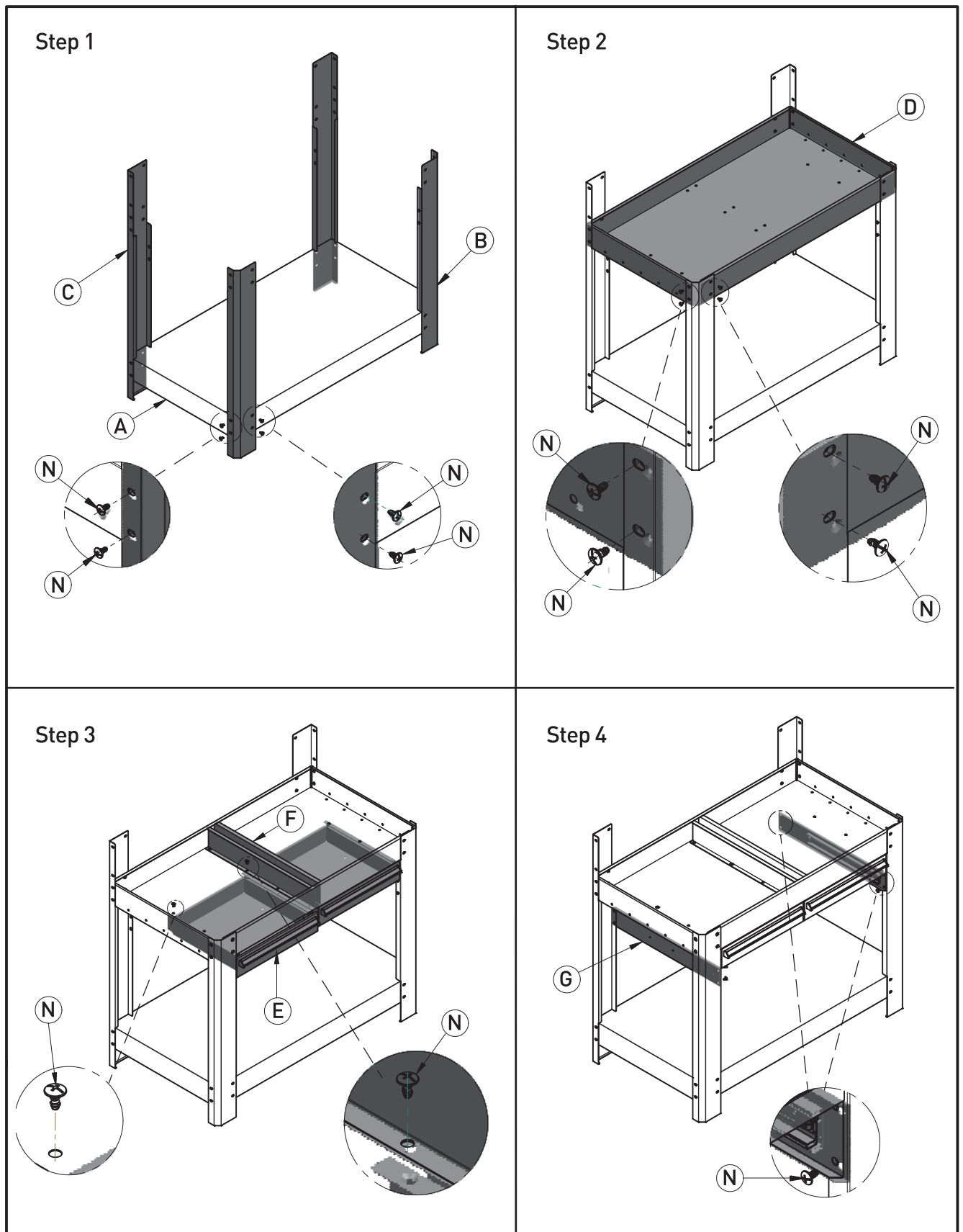
PARTS LIST:

 Bottom tray	 Front pillar	 Back pillar		
 Top tray	 Small drawer	 Supportive plate	 Slide board for drawer	
 Big drawer	 Grid board	 Cupboard		
 Side board for lamp cover	 Wooden top	 Hook		
 Screw ST6.3x12	 Bolt M5x10	 Hex nut M5	 Protective ring	 Hinge

Item	Description	Q'ty	Item	Description	Q'ty	Item	Description	Q'ty
A	Bottom tray	1	G	Slide board for drawer	2	M	Hook	5
B	Front pillar	2	H	Big drawer	1	N	Screw ST6.3x12	68+2
C	Back pillar	2	I	Grid board	1	O	Bolt M5x10	4
D	Top tray	1	J	Cupboard	1	P	Hex nut M5	4
E	Small drawer	2	K	Side board for lamp cover	2	Q	Protective ring	3
F	Supportive plate	2	L	Wooden top	1	R	Hinge	2

TOOLS REQUIRED:

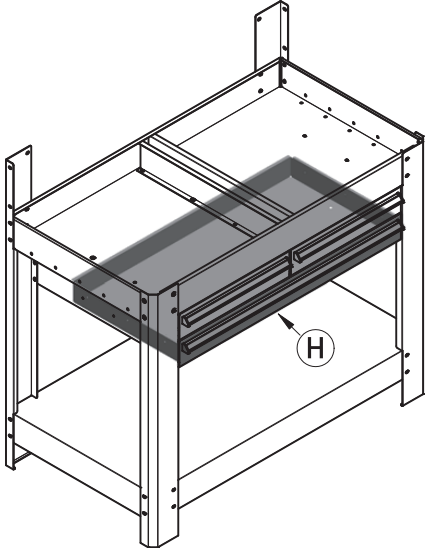
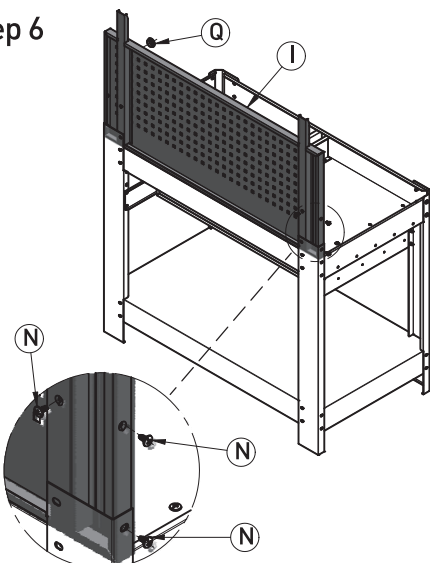
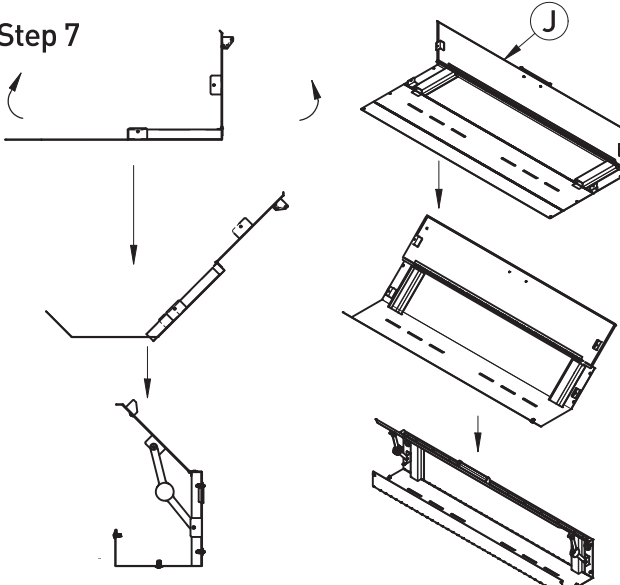
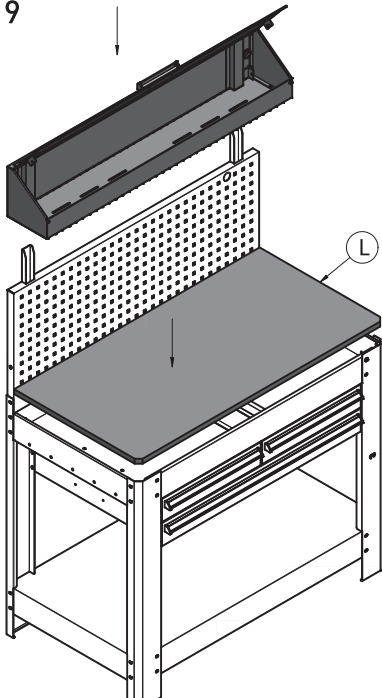
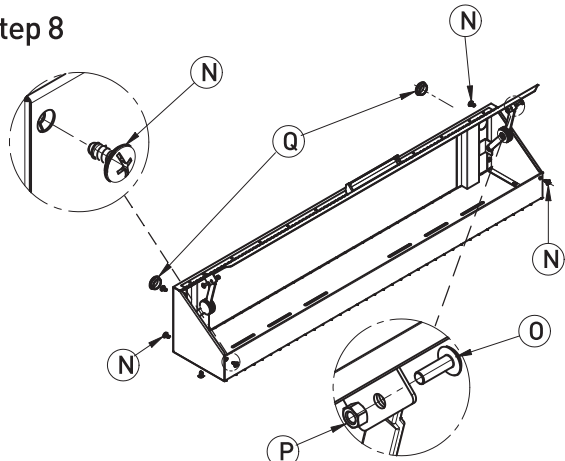
#2 and #3 phillips screwdrivers
8 mm wrench or socket for nuts



During assembly do not tighten bolts until all components are aligned properly, then tighten fully.

TOOLS REQUIRED:

#2 and #3 phillips screwdrivers
8 mm wrench or socket for nuts

<p>Step 5</p> 	<p>Step 6</p> 		
<p>Step 7</p> 	<p>Step 9</p> 		
<p>Step 8</p> 			
<p>KRAFTWERK® FAVORITE TOOLS SINCE 1979</p> <table><tr><td>KRAFTWERK Group AG Mettlenbachstrasse 23 CH-8617 Mönchaltorf Switzerland Tel. +41-44 949 40 50</td><td>KRAFTWERK Sàrl. 25, rue du Stade F - 67870 Bischofsheim France Tel. +33-388 48 64 50</td></tr></table> <p>www.kraftwerktools.com</p>		KRAFTWERK Group AG Mettlenbachstrasse 23 CH-8617 Mönchaltorf Switzerland Tel. +41-44 949 40 50	KRAFTWERK Sàrl. 25, rue du Stade F - 67870 Bischofsheim France Tel. +33-388 48 64 50
KRAFTWERK Group AG Mettlenbachstrasse 23 CH-8617 Mönchaltorf Switzerland Tel. +41-44 949 40 50	KRAFTWERK Sàrl. 25, rue du Stade F - 67870 Bischofsheim France Tel. +33-388 48 64 50		

During assembly do not tighten bolts until all components are aligned properly, then tighten fully.